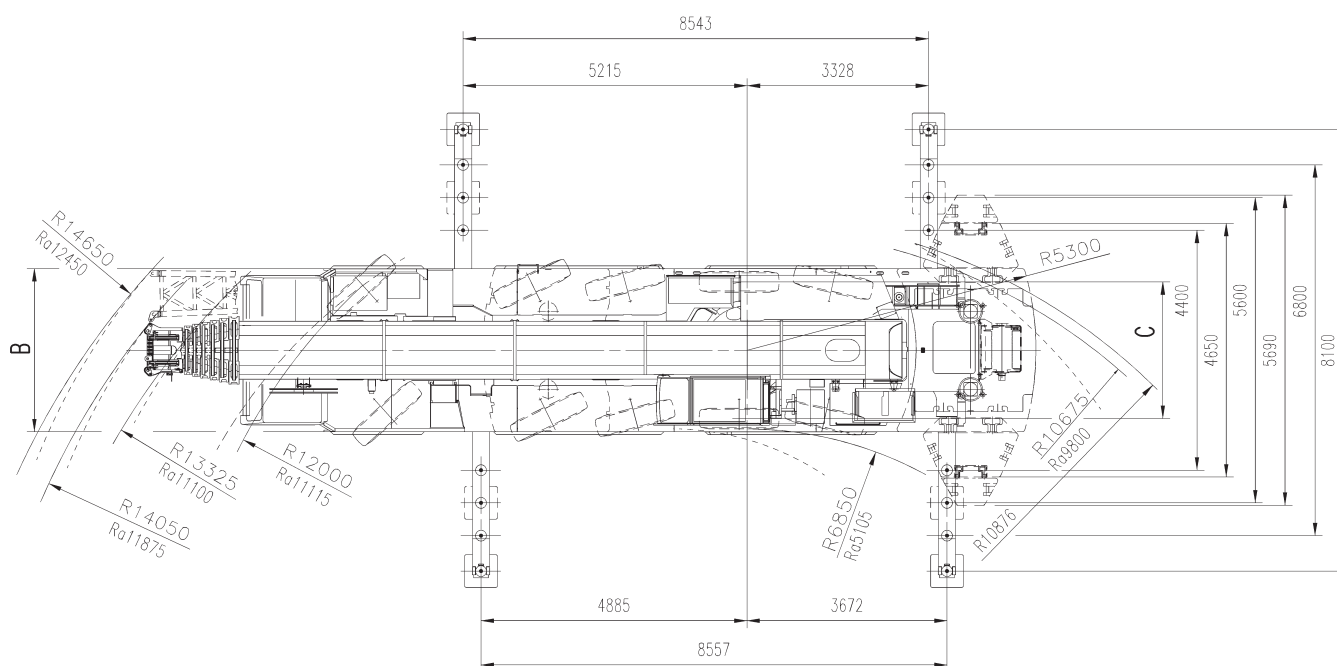
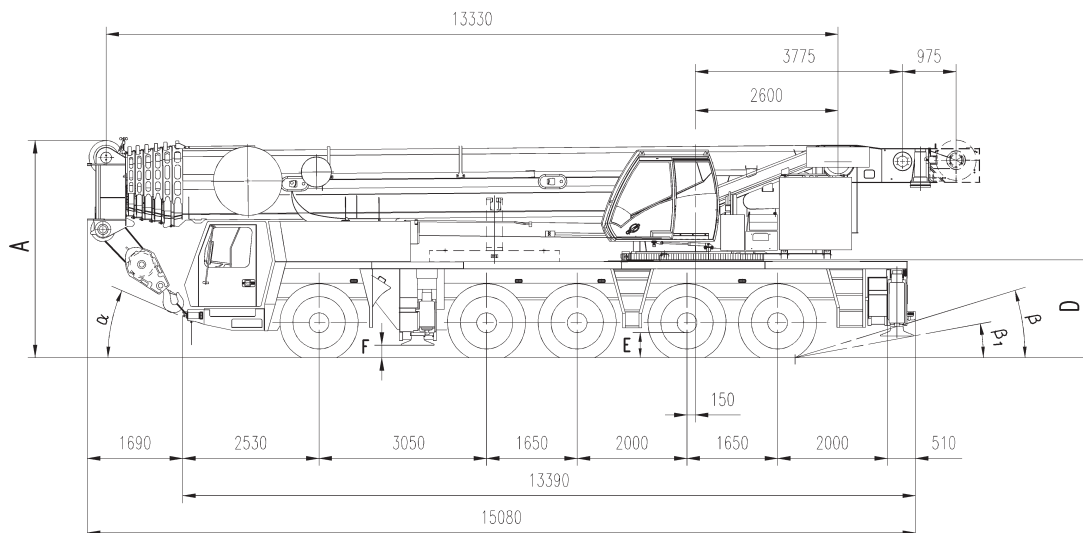



Dimensions • Abmessungen • Encombrement Dimensiones • Dimensioni • Размеры



|  | A | A 130 mm* | B | C | D | E | F | α | β | $\beta 1$ |
|-------------------------------------------------------------------------------------|------|--------------|------|------|------|-----|-----|----------|---------|-----------|
| 14.00 R25 | 3950 | 3820 | 2990 | 2570 | 1780 | 400 | 228 | 23 | 15 | 10 |
| 16.00 R25 | 4000 | 3870 | 3000 | 2510 | 1830 | 450 | 258 | 25 | 17 | 12 |
| 20.5 R25 | 4000 | 3870 | 3000 | 2530 | 1830 | 450 | 258 | 25 | 17 | 12 |

Ra = Radius all wheels steered
 Radius allradgelenkt
 Rayon toutes les roues directrices
 Radio de giro con todas las ruedas giradas
 Raggio di curva con tutte le ruote sterzate
 Радиус поворота при управлении всеми колесами

* Lowered
 Abgesenkt
 Surbaissée
 Rebaja
 Abbassato
 Снизженный

Load charts • Traglasten • Capacités de levage Capacidades • Capacità • Таблицы грузоподъемности

Working range • Arbeitsbereiche • Diagramme de levage • Gama de trabajo • Area di lavoro • Грузовысотные характеристики



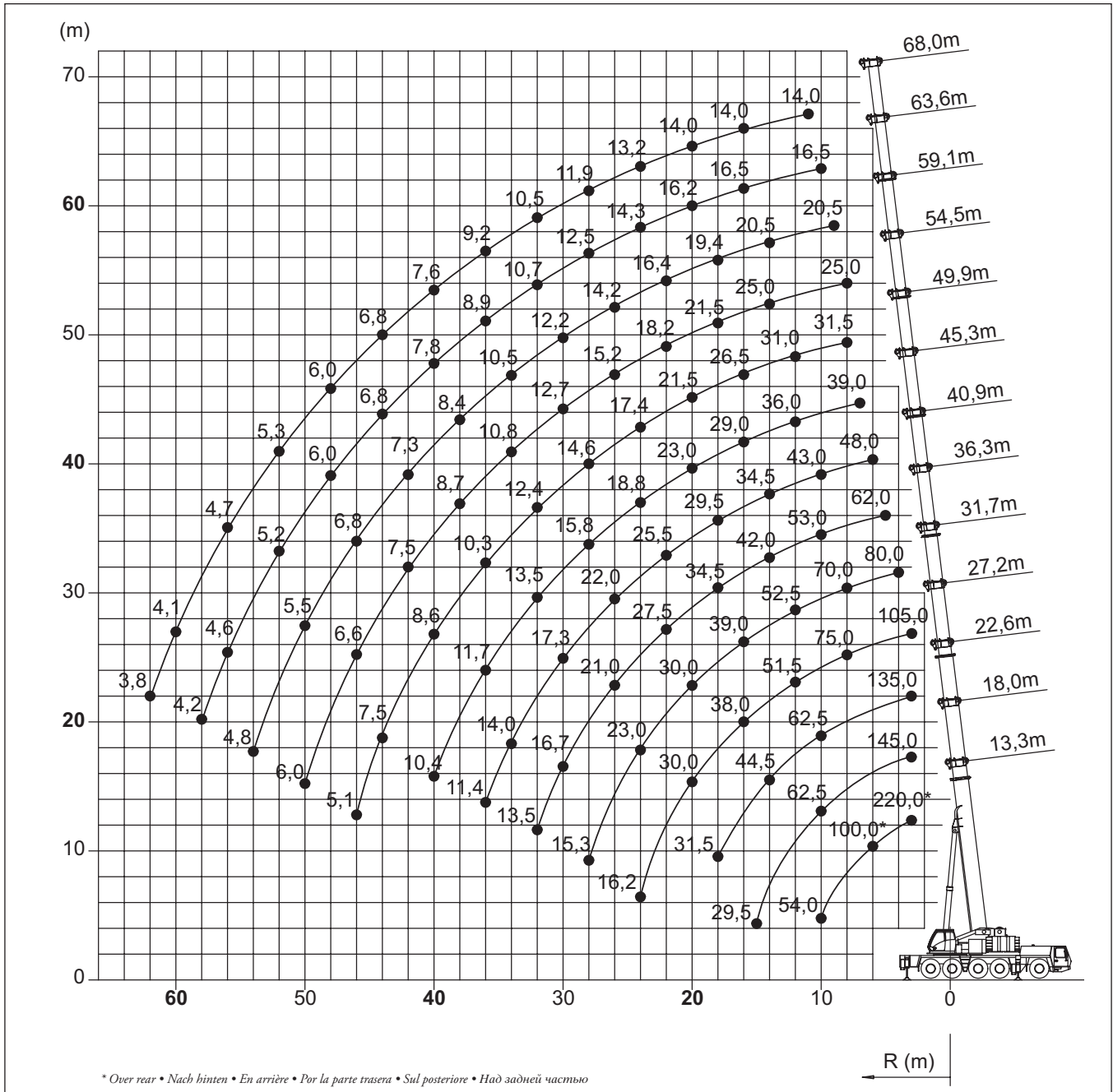
13,3 - 68,0 m



8,1 m



360°



| | Hook block • Hakenflasche • Crochet-moufle • Gancho • Ganci • Крюковой блок | H |
|--|-----------------------------------------------------------------------------|------|
| | (t) | (mm) |
| | 200 D | 3650 |
| | 160 D | 3650 |
| | 125 D | 3300 |
| | 80 D | 3300 |
| | 32 E | 3200 |
| | 12 H/B | 2450 |

Load charts • Traglasten • Capacités de levage Capacidades • Capacità • Таблицы грузоподъемности

Telescopic boom • Teleskopausleger • Flèche principale • Pluma telescópica • Braccio telescopico • Телескопическая стрела



13,3 - 68,0 m



8,1 m



360°



77 t



EN 13000

| m | 13,3* | 13,3 | 18,0 | 22,6 | 27,2 | 31,7 | 36,3 | 40,9 | 45,3 | 49,9 | 54,5 | 59,1 | 63,6 | 68,0 |
|------|-------------|-------|-------|-------|-------|------|------|------|------|------|------|------|------|------|
| 2,5 | 220,0/175,0 | - | - | - | - | - | - | - | - | - | - | - | - | - |
| 3,0 | 152,0 | 150,0 | 145,0 | 135,0 | 105,0 | - | - | - | - | - | - | - | - | - |
| 4,0 | 130,0 | 127,0 | 126,0 | 120,0 | 105,0 | 80,0 | - | - | - | - | - | - | - | - |
| 5,0 | 114,0 | 110,0 | 110,0 | 106,0 | 102,0 | 80,0 | 62,0 | - | - | - | - | - | - | - |
| 6,0 | 100,0 | 96,0 | 96,5 | 94,0 | 92,5 | 79,0 | 62,0 | 48,0 | - | - | - | - | - | - |
| 7,0 | 88,5 | 85,0 | 85,5 | 84,0 | 83,0 | 74,5 | 62,0 | 48,0 | 39,0 | - | - | - | - | - |
| 8,0 | 78,0 | 76,0 | 76,5 | 75,0 | 75,0 | 70,0 | 59,5 | 48,0 | 39,0 | 31,5 | 25,0 | - | - | - |
| 9,0 | 67,5 | 67,5 | 69,0 | 68,5 | 68,0 | 65,5 | 56,5 | 45,5 | 39,0 | 31,5 | 25,0 | 20,5 | - | - |
| 10,0 | 54,0 | 54,0 | 62,5 | 62,5 | 61,5 | 61,5 | 53,0 | 43,0 | 39,0 | 31,5 | 25,0 | 20,5 | 16,5 | - |
| 11,0 | - | - | 57,0 | 57,0 | 56,5 | 57,0 | 50,0 | 41,0 | 37,5 | 31,5 | 25,0 | 20,5 | 16,5 | 14,0 |
| 12,0 | - | - | 53,0 | 52,5 | 51,5 | 52,5 | 47,0 | 38,5 | 36,0 | 31,0 | 25,0 | 20,5 | 16,5 | 14,0 |
| 13,0 | - | - | 48,0 | 48,0 | 47,5 | 48,5 | 44,5 | 36,0 | 34,0 | 30,0 | 25,0 | 20,5 | 16,5 | 14,0 |
| 14,0 | - | - | 40,5 | 44,5 | 44,0 | 45,0 | 42,0 | 34,5 | 32,0 | 29,0 | 25,0 | 20,5 | 16,5 | 14,0 |
| 15,0 | - | - | 29,5 | 41,5 | 41,0 | 41,5 | 40,0 | 33,0 | 30,5 | 27,5 | 24,0 | 20,5 | 16,5 | 14,0 |
| 16,0 | - | - | - | 38,5 | 38,0 | 39,0 | 38,0 | 32,0 | 29,0 | 26,5 | 23,0 | 20,5 | 16,5 | 14,0 |
| 18,0 | - | - | - | 31,5 | 33,0 | 34,0 | 34,5 | 29,5 | 25,5 | 23,5 | 21,5 | 19,4 | 16,5 | 14,0 |
| 20,0 | - | - | - | - | 30,0 | 30,0 | 31,0 | 27,0 | 23,0 | 21,5 | 19,8 | 17,6 | 16,2 | 14,0 |
| 22,0 | - | - | - | - | 25,0 | 26,5 | 27,5 | 25,5 | 21,0 | 19,5 | 18,2 | 16,4 | 15,3 | 13,8 |
| 24,0 | - | - | - | - | 16,2 | 23,0 | 24,0 | 23,5 | 18,8 | 17,4 | 16,5 | 15,2 | 14,3 | 13,2 |
| 26,0 | - | - | - | - | - | 21,0 | 21,0 | 22,0 | 17,3 | 16,0 | 15,2 | 14,2 | 13,3 | 12,6 |
| 28,0 | - | - | - | - | - | 15,3 | 18,5 | 19,3 | 15,8 | 14,6 | 13,8 | 13,2 | 12,5 | 11,9 |
| 30,0 | - | - | - | - | - | - | 16,7 | 17,3 | 14,6 | 13,4 | 12,7 | 12,2 | 11,7 | 11,2 |
| 32,0 | - | - | - | - | - | - | 13,5 | 15,5 | 13,5 | 12,4 | 11,8 | 11,4 | 10,7 | 10,5 |
| 34,0 | - | - | - | - | - | - | - | 14,0 | 12,6 | 11,5 | 10,8 | 10,5 | 9,7 | 9,9 |
| 36,0 | - | - | - | - | - | - | - | 11,4 | 11,7 | 10,3 | 9,8 | 9,5 | 8,9 | 9,2 |
| 38,0 | - | - | - | - | - | - | - | - | 10,9 | 9,2 | 8,7 | 8,4 | 8,4 | 8,4 |
| 40,0 | - | - | - | - | - | - | - | - | 10,4 | 8,6 | 8,1 | 7,8 | 7,8 | 7,6 |
| 42,0 | - | - | - | - | - | - | - | - | - | 8,0 | 7,5 | 7,3 | 7,3 | 7,2 |
| 44,0 | - | - | - | - | - | - | - | - | - | 7,5 | 7,0 | 6,8 | 6,8 | 6,8 |
| 46,0 | - | - | - | - | - | - | - | - | - | 5,1 | 6,6 | 6,3 | 6,4 | 6,4 |
| 48,0 | - | - | - | - | - | - | - | - | - | - | 6,3 | 5,9 | 6,0 | 6,0 |
| 50,0 | - | - | - | - | - | - | - | - | - | - | 6,0 | 5,5 | 5,6 | 5,7 |
| 52,0 | - | - | - | - | - | - | - | - | - | - | - | 5,1 | 5,2 | 5,3 |
| 54,0 | - | - | - | - | - | - | - | - | - | - | - | 4,8 | 4,9 | 5,0 |
| 56,0 | - | - | - | - | - | - | - | - | - | - | - | - | 4,6 | 4,7 |
| 58,0 | - | - | - | - | - | - | - | - | - | - | - | - | 4,2 | 4,4 |
| 60,0 | - | - | - | - | - | - | - | - | - | - | - | - | - | 4,1 |
| 62,0 | - | - | - | - | - | - | - | - | - | - | - | - | - | 3,8 |

* Over rear • Nach hinten • En arrière • Por la parte trasera • Sul posteriore • Над задней частью